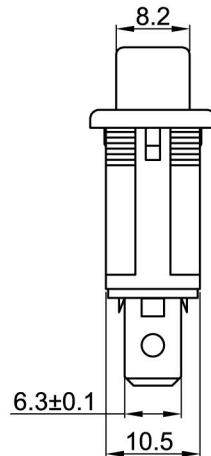
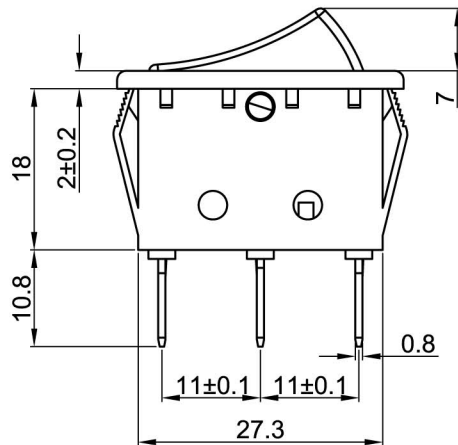
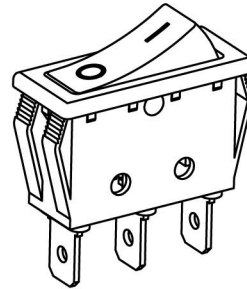
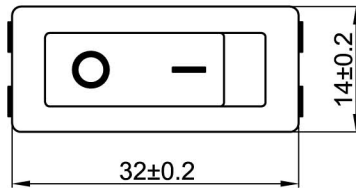
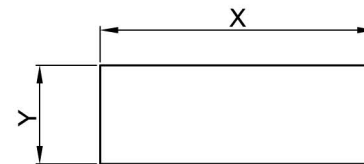


R-1

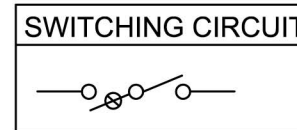


Rating: 20A 125V AC (UL CUL)
 22A 250V AC (ENEC CB CQC)
 Contact Resistance: 50m Ω Max
 Insulation Resistance: DC 500V 100M Ω Min.
 Dielectric Strength: AC1500V 1 minute
 Operating Force: 250±100gf
 Mechanical Life: Over 30,000 cycles
 Electrical Life: Over 10,000 cycles
 Operating Temperature: 0°C~85°C
 Safety Approval:

CUT-OUT



| | X | Y |
|-----------|----------|----------|
| 0.75~1.25 | 30.0+0.1 | 11.0+0.1 |
| 1.25~2.00 | 30.2+0.1 | 11.0+0.1 |
| 2.00~3.00 | 30.4+0.1 | 11.0+0.1 |



MATERIAL:

Body:Nylon66,UL rated:94V-2 min.
 Actuator:PC
 Terminal:Brass,silver or tin plated